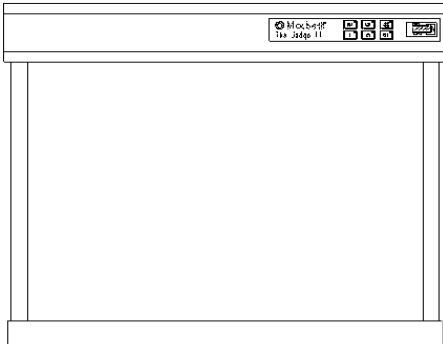


The Judge[®] II and Judge[®] II-S

Operation Manual



The Judge II (portable version) and The Judge II-S (stationary version) are lighting booths that can be used for color evaluation under specified lighting conditions. The Judge II and The Judge II-S feature:

- balanced light that conforms to or exceeds published international standards for the visual evaluation of color
- an elapsed time meter
- “instant-on” capability to eliminate warm-up delays
- a membrane keypad for rapid switching between illuminants with fingertip control
- The Judge II also features an optional soft nylon carrying case with shoulder strap.

Safety Instructions

PLEASE READ AND FOLLOW INSTRUCTIONS—Read and follow all instructions before you attempt to assemble or operate the unit.

RETAIN THIS MANUAL FOR FUTURE REFERENCE—Once you have read this manual, keep it handy for others to read or refer to when they need to operate the unit.

OBEY WARNINGS—Please comply with all warnings and safeguards that we provide in this manual. They have been written to keep you and your unit safe. If the unit is used in a manner not specified in this manual, the protection provided by the unit may be impaired.

PROTECT FROM WATER AND MOISTURE—Maintain electrical safety when you use this unit. Do not use it in an area where there is possible hazard of electric shock from spilled water or other liquids or uncontrolled moisture.

CLEAN PROPERLY—You can wipe the unit with a clean, white lint-free cloth. Do *not* apply liquid cleaners or agents containing wax, since these can yellow and change reflectance and gloss properties. Clean outer surfaces with a dampened cloth containing a mild soap.

USE ONLY A PROPER POWER SOURCE—Use the proper power source for this unit. If you have any doubt, consult the label on the back of the unit for this information. Unplug the unit when it will not be used for extended periods of time.

UNPLUG UNIT BEFORE CHANGING LAMPS—Always unplug the unit *before* you change lamps.

DO NOT OVERLOAD CIRCUITS—Do *not* overload wall outlets and extension cords. This can result in a risk of fire or electric shock. Periodically examine all cords to make certain that they are not damaged, cracked or twisted. Cords that show any signs of damage or wear should be replaced immediately.

AVOID HEAT SOURCES—Do *not* use the unit near heat sources such as radiators, heat registers or other heat producing appliances.

DO NOT OPERATE DURING LIGHTNING STORMS—During a lightning storm, unplug the unit to avoid electrical power surges or unnecessary power drops that could result in damage to lamps and electrical circuitry.

SERVICE PROPERLY—With the exception of lamp replacement, do *not* attempt to service this product yourself. If you should attempt unauthorized repairs, you may invalidate the warranty that is active on your unit. For any other malfunctions in operation, contact X-Rite Technical Service.

DAMAGE REQUIRING SERVICE—The unit must be serviced by qualified service personnel when the unit has been dropped or damaged, water or other liquid(s) have been spilled into the electrical components or the unit does not operate normally.

Assembly Drawing and Instructions for Judge II Users

If you are a Judge II-S user, please proceed to page 3 for assembly instructions.

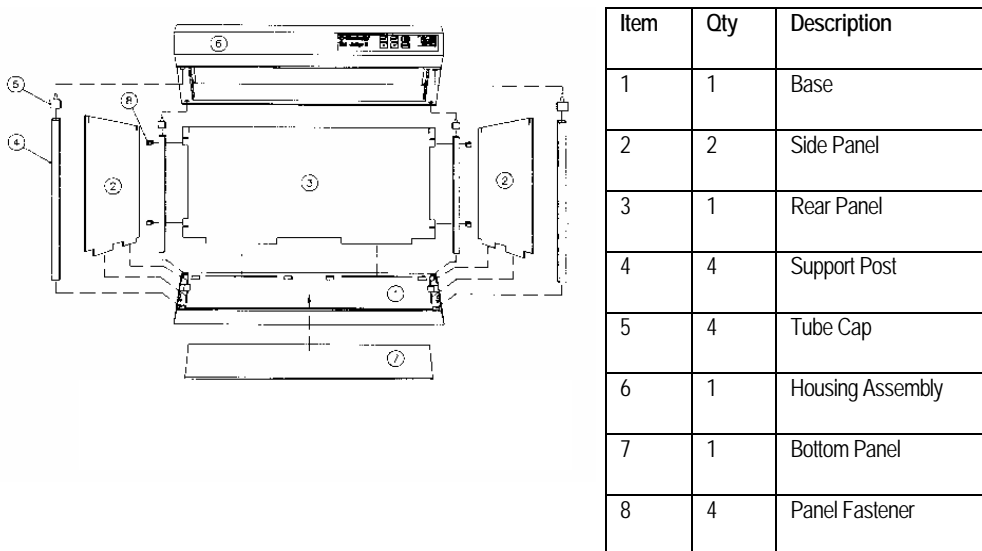


Figure 1. Judge II Assembly Drawing

Refer to Figure 1 as you do the following:

1. Assemble The Judge II beginning at the left side of the unit and work clockwise to seat and lock the left Side Panel (2), Rear Panel (3), and right Side Panel (2) with Support Posts (4). You will finish the assembly by placing the Bottom Panel (7) on top of the Base (1) and seat the Housing Assembly (6) on the Tube Caps (5) located at the top of each Support Post. (In the past these panels were matt on one side and high gloss on the other. The matt side must go to the inside of the booth for all plastic panels.)
2. Remove from storage and identify all items Figure 1. Note the order in which these items are removed. To pack the unit, you will have to replace each item accordingly.
3. Insert each Support Post into the Base square sockets; push down on each to seat properly.
4. Place the left Side Panel into its anchoring slots at the left of the Base.
5. Place the Rear Panel into its anchoring slots at the rear of the Base.
6. Place the right Side Panel into its anchoring slots at the right of the Base.
7. Fasten the Rear Panel to the rear Support Posts with the 4 Panel Fasteners (2 per post). (On the tabs of the panel)
8. Place the Bottom Panel on top of the Base. Slide the Bottom Panel forward until it rests against the ledge of the Base.
9. Place a Tube Cap in each of the four (4) corners of the booth by sliding it into the notch(es) located at the top of each panel. Press the Tube Cap down to seat it.
10. Insert all fluorescent bulbs into the Housing Assembly using Figure 3 below. (The lamps are already installed when shipped.) The INC, Tungsten Halogen lamp should not be touched with bare fingers because oil from the skin will reduce lamp life.
Caution! In the following step, DO NOT RELEASE THE HOUSING ASSEMBLY until you are certain that all Tube Caps are properly seated in their sockets. Move your fingers out of the way *before* you release the Assembly.
11. Lift the Housing Assembly up and place it over the four Tube Caps. Rest it on the two rear Tube Caps and gradually seat the Housing Assembly onto the two front Tube Caps in a hinge-like motion. When you are certain that the Housing Assembly is secure, release it. This completes the Assembly. Proceed to the OPERATION section of this manual.

Assembly Drawing and Instructions for Judge II-S Users

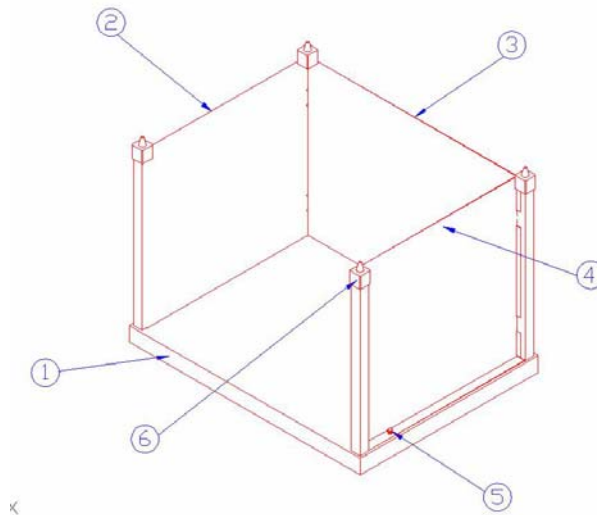


Figure 2. Judge II-S Assembly Drawing

1. Remove from storage and identify all items Figure 2. Note the order in which these items are removed. To pack the unit, you will have to replace each item accordingly.
2. Place the Bottom Panel (#1) on a clean, smooth surface.
3. Position the Rear Panel (#3) bottom notches into the Bottom Panel (#1) rear slots. Fasten the Rear Panel to the Bottom Panel by securing it with two thumbscrews.
4. While supporting the Rear Panel, insert the Left Panel (#2) side tabs into the Rear Panel (#3). Fasten the Left Panel to the Bottom Panel by securing it with the thumbscrew. Ensure the front-bottom notch inserts into the front bottom slot.
5. Insert the Right Panel (#4) side notches into the Rear Panel (#3). Fasten the Right Panel to the Bottom Panel by securing it with the thumbscrew. Ensure the front-bottom notch inserts into the front bottom slot."
6. Place a Tube Cap in each of the four (4) corners of the booth by sliding it into the notch(es) located at the top of each panel. Press the Tube Cap down to seat it.
7. Insert all fluorescent bulbs into the Housing Assembly using Figure 3 below.
Caution! In the following step, DO NOT RELEASE THE HOUSING ASSEMBLY until you are certain that all Tube Caps are properly seated in their sockets. Move your fingers out of the way *before* you release the Assembly.
8. Lift the Housing Assembly up and place it over the four Tube Caps. Rest it on the two rear Tube Caps and gradually seat the Housing Assembly onto the two front Tube Caps in a hinge-like motion. When you are certain that the Housing Assembly is secure, release it. This completes the Assembly. Proceed to the OPERATION section of this manual.

Operation

Applying Power to the Assembled Unit

1. Make certain that all lamps are properly seated, and that the unit is placed on a stable, vibration-free surface.
2. Peel off the "CHECK VOLTAGE SETTING PRIOR TO OPERATING UNIT" label located *over* the female power cord receptacle at the rear of the unit. To check the setting, identify the voltage displayed in the Voltage Indicator Window of the fuse drawer.
3. If the voltage displayed is correct, plug the power cord into female power cord receptacle, then plug the cord into a properly rated wall socket. Proceed to "Selecting a Light Source" below.
4. If the voltage displayed is incorrect, proceed to "Changing the Voltage Selection Unit" below.

Changing the Voltage Selection Unit

1. To remove the Fuse Drawer, grasp and pinch the two latch ribs located at each side of the drawer and slide the unit out.
2. Note the voltage displayed in the window. If a different voltage is needed, grasp and remove the gray Voltage Selection Unit and turn it to display the desired voltage in the Voltage Indicator Window. Reinsert the Voltage Selection Unit into its housing.
3. With both fuses properly seated, slide the Fuse Drawer back into the unit. Gently press the Fuse Drawer until you hear a distinct click.
4. Reconnect the power cord to the unit and apply power. If the unit shows signs that the fuses may have blown again contact your X-Rite Service Representative.

Selecting a Light Source

1. Press the button labeled:
2. DAY for the daylight source;
3. CWF for the cool white fluorescent source;
4. U30/TL84 for the Ultralume or TL84 source installed in your unit;
5. A for the incandescent source;
6. UV for the ultraviolet source. (This UV source is a filtered black light and is not harmful to observers.)

Note: The ultraviolet source (UV) can be used in combination with any of the light sources or by itself for evaluation of optical brighteners, whitening agents, or fluorescent dyes or pigments.

7. Press OFF to turn one or more selected lamps off.

Changing Lamps

1. Check the elapsed time meter located at the right side of the control pad to make certain that 5000 or more hours have elapsed since lamps were installed. We recommend that *all* lamps be changed after 5000 hours of unit operation.
2. Unplug the power cord from the power source (e.g., wall socket) *before* you replace the lamps.
3. Refer to Figure 3 below to follow the replacement configuration. Replace *all* lamps. NOTE: The INC, Tungsten Halogen lamp should not be touched with bare fingers because oil from the skin will reduce lamp life.
4. Verify that the lamps are replaced properly by illuminating each one separately to make certain that the operating switch turns the desired lamp ON and OFF.

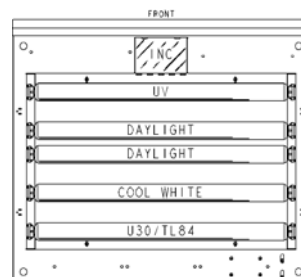


Figure 3. Lamp Replacement

Fuse Check and Replacement Procedure

1. Locate the Fuse Drawer at the rear of the unit; make certain that you disconnect the power cord from the unit.
2. Note and record the number exposed in the Voltage Indicator Window. This number represents the AC power setting (VAC) and will be one of the following: 100, 120 (117), 220, 240.

WARNING: In the following step, if the Voltage Selection Unit is removed from the Fuse Drawer, reinsert it properly using step 2 in "**Changing the Voltage Selection Unit**" above.

3. To open and remove the Fuse Drawer, grasp and pinch the two latch ribs located at each side of the drawer and slide the unit out so that you do not disturb the gray Voltage Selection Unit.
4. Remove and inspect the two fuses. If there is evidence that one or both fuses have blown, replace them with Slo-blo® (5mm x 20mm medium time lag) fuses. Use a 1.6 amp fuse for 100 VAC or 117 VAC units; use a 1 amp fuse for the 220 VAC or 240 VAC units.
5. With both fuses properly seated, slide the Fuse Drawer back into the unit. Before you close it, make certain to look at the Voltage Indicator Window to verify the proper voltage is displayed (the voltage noted in step 2). Gently press the Fuse Drawer until you hear a distinct click.
6. Reconnect the power cord to the unit and apply power. If the unit shows signs that the fuses may have blown again contact your X-Rite Service Representative.

Specifications and Parts for the Judge II and the Judge II-S

Specifications		The Judge II	The Judge II-S
Dimensions	Size (Assembled)	Width: 27" (68.6 cm) Depth: 22.25" (56.5 cm) Height: 22.25" (56.5 cm)	Width: 26.5" (67.3 cm) Depth: 20.5" (52.1 cm) Height: 21.85" (55.5 cm)
Weight	Weight/Shipping Weight	35 lb (15.9 kg)/40 lb (18.2 kg)	50 lb (22.7 kg)/ 60 lb (35.1 kg)
Power Requirements	All Units	100 VAC/50-60 HZ – 117 VAC/50-60 Hz 220 VAC/50 – 60 HZ – 240 VAC/ 50-60 Hz	
Illuminants	Fluorescent Daylight	7500K- North Sky Daylight 6500K – Avg. North Sky Daylight 5000K- Noon Sky Daylight	
	Cool White Fluorescent	4150K Typical Store/Office Lighting (Wide Band Fluorescent)	
	Commercial Fluorescent	3000K- Ultralume U30 4100K –TL84	
	Illuminant A	2856K- Typical Home/Accent Lighting (Incandescent)	
	Ultraviolet	Filtered Near UV	

Parts

Consult your Price List for additional information or call your local X-Rite sales office.

The Judge II Carrying Case A-CC/JU

Option for the Judge II.

The Judge II (7500K) 24" Lamp Kit A-LK/JU75

This kit consists of four (4) F20T12/75 X-Rite seven (7) phosphor fluorescent daylight lamps. Two (2) required for The Judge II. Sold in packaged of four (4) or as part of a specific lamp kit.

The Judge II (6500K) 24" Lamp Kit A-LK/JU65

Same as above except for four (4) F20T12/65 lamps.

The Judge II (5000K) 24" Lamp Kit A-LK/JU50

Same as above except four (4) F20T12/50 lamps.

The Judge II (7500K/TL84) Lamp Kit A-LK/JU7584

This kit consists of two (2) F20T12/75 X-Rite seven (7) phosphor fluorescent daylight lamps, one (1) F20T12/CW cool white fluorescent, one (1) F20T8/TL84 narrow band fluorescent used in Europe, one (1) 75 watt halogen illuminant A, and one (1) F20T12/BLB UV lamp.

The Judge II (6500K/TL84) Lamp Kit A-LK/JU6584

This kit consists of two (2) F20T12/65 X-Rite seven (7) phosphor fluorescent daylight lamps, one (1) F20T12/CW cool white fluorescent, one (1) F20T8/TL84 narrow band fluorescent used in Europe, one (1) 75 watt halogen illuminant A, and one (1) F20T12/BLB UV lamp.

The Judge II (5000K/TL84) Lamp Kit A-LK/JU5084

This kit consists of two (2) F20T12/50 X-Rite seven (7) phosphor fluorescent daylight lamps, one (1) F20T12/CW cool white fluorescent, one (1) F20T8/TL84 narrow band fluorescent used in Europe, one (1) 75 watt halogen illuminant A, and one (1) F20T12/BLB UV lamp.

The Judge II (7500K/U30) Lamp Kit A-LK/JU75U30

This kit consists of two (2) F20T12/75 X-Rite seven (7) phosphor fluorescent daylight lamps, one (1) F20T12/CW cool white fluorescent, one (1) F20T12/U30 narrow band fluorescent used in US retail, one (1) 75 watt halogen illuminant A, and one (1) F20T12/BLB UV lamp.

The Judge II (6500K/U30) Lamp Kit A-LK/JU65U30

This kit consists of two (2) F20T12/65 X-Rite seven (7) phosphor fluorescent daylight lamps, one (1) F20T12/CW cool white fluorescent, one (1) F20T12/U30 narrow band fluorescent used in US retail, one (1) 75 watt halogen illuminant A, and one (1) F20T12/BLB UV lamp.

The Judge II (5000K/U30) Lamp Kit A-LK/JU50U30

This kit consists of two (2) F20T12/50 X-Rite seven (7) phosphor fluorescent daylight lamps, one (1) F20T12/CW cool white fluorescent, one (1) F20T12/U30 narrow band fluorescent used in US retail, one (1) 75 watt halogen illuminant A, and one (1) F20T12/BLB UV lamp.

Illuminant A Lamp Diffuser GM27006570

Power Cord (220/240V) GM10032100

Power Cord (100/117V) GM05318311

X-Rite makes no warranty of any kind with regard to the material contained in this manual, including implied warranties or fitness for a particular purpose. X-Rite shall not be liable for errors contained herein or for incidental or consequential damages in connection with the performance or use of this material. This manual is the copyright of X-Rite. Any reproduction of the publication in whole or in part without the express permission of X-Rite is a breach of this copyright.

The Judge® is a registered trademark of X-Rite.

World Wide Web:

<http://www.xrite.com>

Warranty Information

X-Rite, Incorporated ("X-Rite") warrants each instrument manufactured to be free of defects in material and workmanship for a period of 12 months. This warranty shall be fulfilled by the repair or replacement, at the option of X-Rite, of any part or parts, free of charge including labor, F.O.B. its factory or authorized service center.

This warranty shall be voided by any repair, alteration, or modification, by persons other than employees of X-Rite, or those expressly authorized by X-Rite to perform repairs, and by any abuse, misuse, or neglect of the product, or by use not in accordance with X-Rite's published instructions.

X-Rite reserves the right to make changes in design and /or improvements to its products without any obligation to include these changes in any products previously manufactured. Correction of defects by repair or replacement shall constitute fulfillment of all warranty obligations on the part of X-Rite.

THIS WARRANTY IS EXPLICITLY IN LIEU OF ANY OTHER EXPRESSED OR IMPLIED WARRANTIES, INCLUDING ANY IMPLIED WARRANTY OF MERCHANTABILITY OR FITNESS FOR ANY PARTICULAR PURPOSE. THIS WARRANTY OBLIGATION IS LIMITED TO REPAIR OR REPLACEMENT OF THE UNIT RETURNED TO X-RITE OR AN AUTHORIZED SERVICE CENTER FOR THAT PURPOSE.

This agreement shall be interpreted in accordance with the laws of the State of Michigan and jurisdiction and venue shall lie with the courts of Michigan as selected by X-Rite, Incorporated.



Corporate Headquarters - USA

4300 44th Street SE
Grand Rapids, Michigan 49512
Phone 1 800 248 9748 or 1 616 803 2100
Fax 1 800 292 4437 or 1 616 803 2705

Corporate Headquarters - Europe

Althardstrasse 70
8105 Regensdorf
Switzerland
Phone (+41) 44 842 24 00
Fax (+41) 44 842 22 22

Corporate Headquarters - Asia

Room 808-810
Kornhill Metro Tower, 1 Kornhill Road
Quarry Bay, Hong Kong
Phone (+852) 2 568 6283
Fax (+852) 2 885 8610

Please visit www.xrite.com for a local office near you.